

Centrifuge 5920 R



As awarded by The Chicago Athenaeum: Museum of Architecture and Design.



1. Ergonomic lid operation

- > Soft-touch lid closure and low opening height for stress-free lid locking
- > Two open lid positions
 - > Fully open for easy removal of rotor
 - > Half open for easy access to samples and easy reach of centrifuge lid

2. Extraordinary high capacity

- > Max. 4 × 1,000 mL/52 × 50 mL conical/108 × 15 mL conical/196 × 5/7 mL blood collection/28 × MTP

3. Outstanding cooling performance

- > Dynamic compressor control with ECO shut-off function

4. Menu-operated display

- > Multilingual operation menu with language support for English, German, French and Spanish
- > 5 program keys for easy access to routine programs

5. Quiet operation

- > Designed to operate at low noise levels for a relaxing work environment



Watch Centrifuge 5920 R video clip on our optimized webpage for mobile devices or www.eppendorf.com/centrifugation

www.eppendorf.com/centrifugation5920R-video



Description

Centrifuge 5920 R delivers extraordinary high capacity in a very compact and ergonomic product design. It has similar dimensions as competing refrigerated 3 Liter models and yet features a superior capacity of up to 4 × 1,000 mL; thus making it the ideal instrument for high-throughput applications. It features a powerful state-of-the-art refrigeration system with advanced temperature management to keep your samples safe.

Product features

- > Swing-bucket rotors and adapters accommodate tubes and bottles from 0.2 mL to 1,000 mL
- > Plate rotor options for centrifugation of all types of MTP, PCR or Deepwell Plates
- > Fixed-angle rotors for high-speed molecular biology applications in tubes from 0.2 mL to 50 mL
- > High centrifugation speed of up to 25,062 × g (13,700 rpm)
- > Aerosol-tight Eppendorf QuickLock® caps and lids allow fast and ergonomic lid locking
- > Centrifuge lid with soft-touch lid closure
- > Quiet operation to improve your work environment
- > Compact footprint saves valuable bench space
- > Automatic rotor recognition and imbalance detection for maximum operational safety

Additional features for Centrifuge 5920 R

- > Temperature range from -11 °C to 40 °C
- > FastTemp function for quick pre-cooling
- > FastTemp pro® function allows for automatic precooling based on pre-programmable time and date
- > Continuous cooling maintains a constant temperature after the run has been completed – your samples stay cool
- > ECO shut-off engages after 8 hours (adjustable) of non-use to reduce energy consumption and to extend compressor life
- > Dynamic compressor control (DCC) technology for optimized cooling performance

Centrifuge 5920 R



4 Liter capacity

- > Centrifuge 5920 R accommodates standard 1 Liter Nalgene bottles setting a new standard in the table top centrifuge segment

Your benefit: Process higher volume in fewer runs



High-capacity buckets

Not only do the high-capacity buckets of Rotor S-4x1000 provide an exceptional high capacity (52 x 50 mL conical, 196 x 13 mm blood collection), they also allow both tubes and plates to be used at the same time.

Advantages:

- > Time saving: No need to exchange buckets
- > Cost saving: No need for separate plate buckets
- > Space saving: No need to store different buckets



Advanced operating system

Centrifuge 5920 R comes with a modern operating system with outstanding functionality

- > Menu-driven, multi lingual operation menu with large backlit display
- > Saves up to 99 user-defined programs
- > 5 program keys for easy access to routine programs
- > FastTemp pro® function for automated pre-cooling based on pre-programmable time and date

Technical specifications

Max. RCF	25,062 × g
Max. RCF with fixed-angle rotor	25,062 × g
Max. RCF with swing-bucket rotor	4,800 × g
Speed	200 – 13,700 rpm (10 rpm steps)
Max. capacity	4 × 1,000 mL/4 × 7 MTP
Acceleration/braking ramps	10/10
Number of programs	99 (5 program keys)
Timer	10 s to 99 h 59 min, with continuous run function, short-spin
Noise level	
Rotor FA-6x50	<60 dB(A)
Rotor S-4x750	<55 dB(A)
Power supply	230 V, 50 – 60 Hz
Max. power consumption	1,650 W
Dimensions (W × D × H)	74 × 71 × 40 cm
Height (with open lid)	94 cm
Weight w/o accessories	139 kg
Cooling	refrigerated
Temperature control range	-11 °C to 40 °C

Ordering information

Description	Order no.
Centrifuge 5920 R, refrigerated, keypad, 230 V/50 – 60 Hz	5948 000.018

✎ Ordering information for other voltage options begins on page 478

Centrifuge Packages



Description

Eppendorf provides a range of different centrifuge packages for Centrifuge 5920 R.

Cell Culture Centrifuge packages include

- > Centrifuge 5920 R
- > Swing-bucket rotor incl. one bucket type (see next page)
- > Four adapters for 15 mL conical tubes (two sets of 2)
- > Four adapters for 50 mL conical tubes (two sets of 2)

Centrifuge packages for round-bottom tubes include

- > Centrifuge 5920 R
- > Swing-bucket rotor incl. one bucket type (see adjacent)
- > Four adapters for 13 mm (5/7 mL) round bottom tubes (two sets of 2)
- > Four adapters for 16 mm (10 mL) round bottom tubes (two sets of 2)



Eppendorf Conical Tubes 15 mL and 50 mL

The Eppendorf Conical Tubes 15 mL and 50 mL are the optimal solution for cell culture sample preparation protocols in microbiology and molecular biology laboratories. Safe design and easy handling ensure best sample processing.

Premium USP class 6 raw material ensures

- > high sample integrity
- > high g-Safe® centrifugation stability
- > optimal sample and pellet visibility

For more information go to chapter „Reaction tubes and plates“ on page 132-157



Rotor S-4x1000 with high-capacity buckets

- > For extra high throughput
- > Accommodates both tubes and plates; no need for separate plate buckets¹⁾
- > Max. 3,153 × g

¹⁾ Plate carrier to lift plates out of high-capacity bucket needs to be ordered separately



Rotor S-4x1000 with plate/tube buckets

- > Accommodates both tubes and plates; no need for separate plate buckets¹⁾
- > Max. 3,076 × g

¹⁾ Plate carrier to lift plates out of plate/tube bucket needs to be ordered separately



Rotor S-4x1000 with round buckets

- > Accommodates 1 L bottle
- > Max. 3,428 × g
- > Aerosol-tight caps optionally available



Rotor S-4xUniversal-Large

- > For extra high throughput
- > Accommodates both tubes and plates; no need for separate plate buckets¹⁾
- > Max. 4,402 × g
- > Aerosol-tight caps optionally available

¹⁾ Plate carrier to lift plates out of universal bucket needs to be ordered separately



Rotor S-4x750 with round buckets

- > Max. 4,800 × g
- > Aerosol-tight caps optionally available

Centrifuge Packages

Ordering information

Description	Max. capacity of conical tubes per rotor	Order no.
Centrifuge 5920 R , refrigerated, with Rotor S-4xUniversal-Large, keypad, 230 V/50 – 60 Hz, incl. universal buckets and adapters for 15 mL/50 mL conical tubes	96 × 15 mL/40 × 50 mL	5948 000.913
Centrifuge 5920 R , refrigerated, with Rotor S-4x1000, keypad, 230 V/50 – 60 Hz, incl. high-capacity buckets and adapters for 15 mL/50 mL conical tubes	108 × 15 mL/52 × 50 mL	5948 000.212
Centrifuge 5920 R , refrigerated, with Rotor S-4x1000, keypad, 230 V/50 – 60 Hz, incl. plate/tube buckets and adapters for 15 mL/50 mL conical tubes	88 × 15 mL/40 × 50 mL	5948 000.417
Centrifuge 5920 R , refrigerated, with Rotor S-4x1000, keypad, 230 V/50 – 60 Hz, incl. round buckets and adapters for 15 mL/50 mL conical tubes	56 × 15 mL/28 × 50 mL	5948 000.310
Centrifuge 5920 R , refrigerated, with Rotor S-4x750, keypad, 230 V/50 – 60 Hz, incl. round buckets and adapters for 15 mL/50 mL conical tubes	56 × 15 mL/28 × 50 mL	5948 000.514

Ordering information





Description	Max. capacity of round-bottom tubes per rotor	Order no.
Centrifuge 5920 R , refrigerated, with Rotor S-4xUniversal-Large, keypad, incl. universal buckets and adapters for round-bottom tubes with diameter 13/16 mm	196 × 13 mm/148 × 16 mm	5948 000.816
Centrifuge 5920 R , refrigerated, with Rotor S-4x1000, keypad, 230 V/50 – 60 Hz, incl. plate/tube buckets and adapters for round-bottom tubes with diameter 13/16 mm	140 × 13 mm/132 × 16 mm	5948 000.611

✂ Ordering information for other voltage options begins on page 478



For more information go to www.eppendorf.com/centrifugation

Rotors for 5920 R

				
Model	Rotor S-4xUniversal-Large	Rotor S-4x1000 with High-Capacity Buckets	Rotor S-4x1000 with Plate/Tube Bucket	Rotor S-4x1000 with Round Bucket
Positioning	Extra high capacity	Extra high capacity	High capacity	Medium capacity, compatible with 1 Liter bottle
Universal bucket	yes	yes	yes	no
Aerosol-tightness	yes	no	yes	yes
Max. capacity	4 x 750 mL	8 x 250 mL	40 x 50 mL	4 x 1,000 mL
Max. RCF	4,402 x g	3,153 x g	3,076 x g	3,413 x g
Max. speed	4,250 rpm	3,700 rpm	3,700 rpm	3,700 rpm
1.5/2.0 mL micro tube	368			200
Eppendorf Tube® 5.0 mL and 15 mL conical	96	108	88	56
50 mL conical	40	52	40	28
13 mm blood tube	196	196	140	92
16 mm blood tube	148	144	132	80
750 mL bottle	4			4
1.000 mL bottle				4
MTP / DWP	20 / 8	24 / 8	28 / 8	28 / 8

Advanced Rotor Design – Swing-Bucket Rotors

**Rotor buckets for tubes and plates (selected rotors only)****Advantages:**

- > Time saving: No need to exchange buckets
- > Cost saving: No need for separate plate buckets
- > Space saving: No need to store different buckets

Aerosol-tight QuickLock caps

- > Significantly improved handling, easy operation with one or two hands
- > Handle allows the closed bucket to be carried to the biosafety cabinet where it can be opened in a safe environment
- > Aerosol-tightness has been tested and verified by Public Health England, Porton Down, UK

Advanced Rotor Design – Fixed-Angle Rotors

**Low rotor weight**

Eppendorf's fixed-angle rotors are among the lightest in the industry to improve handling and operational safety. Light-weight rotors cause less wear and tear on the motor and allow for faster acceleration and braking times.

Eppendorf QuickLock® lids for ergonomic lid locking

Our aerosol-tight QuickLock rotors close with only ¼ of a turn. This not only saves you time during every day use, it also takes repetitive stress off your wrist.

Superior temperature control





Aluminum, with its high heat conductivity, allows fast pre-cooling and accurate temperature control in refrigerated centrifuges.

Perfect fit with Eppendorf Conical Tubes 15 mL and 50 mL

The Eppendorf Conical Tubes are characterized by an outstanding centrifugation stability of up to 19,500 x g¹⁾. This makes them suited for a broad range of applications.

¹⁾ Test conditions: Rotor FA-45-6-30 in Eppendorf Centrifuge 5810 R (using a suitable centrifuge adapter for 15 mL tube), sample: Saline solution (density: 1.0 g/mL), controlled centrifugation temp.: 25 °C, centrifugation time: 90 min

Rotors for 5920 R

				
Model	Rotor S-4x750 with round buckets	Rotor FA-6x50-hs	Rotor FA-6x50	Rotor FA-48x2
Positioning	Medium capacity, high speed	Molecular applications in tubes up to 50 mL conical	Molecular applications in tubes up to 50 mL conical	Aerosol-tight microcentrifuge tube rotor
Universal bucket	no			
Aerosol-tightness	yes	yes	yes	yes
Max. capacity	4 x 750 mL	6 x 50 mL	6 x 50 mL	48 x 2 mL
Max. RCF	4,800 x g	25,062 x g	20,130 x g	22,132 x g
Max. speed	4,700 rpm	13,500 rpm	12,100 rpm	14,000 rpm
1.5/2.0 mL micro tube	200			48
Eppendorf Tube® 5.0 mL and 15 mL conical	56	6	6	
50 mL conical	28	6	6	
13 mm blood tube	92	6	6	
16 mm blood tube	80	6	6	
750 mL bottle	4			
1.000 mL bottle				
MTP / DWP	16 / 4	/	/	/

Rotors for 5920 R






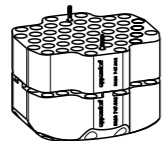
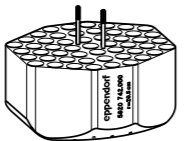
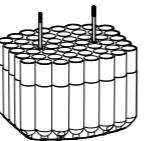
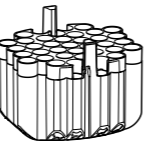
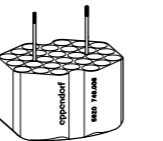
**Rotor S-4xUniversal-Large**

- > Extra High capacity swing-bucket rotor with max. speed 4,402 × g (4,250 rpm)
- > Broad range of adapters enables high versatility for tubes and flasks from 0.2 mL to 750 mL and plates
- > Universal bucket design accommodates both plates and tubes
- > Aerosol-tight QuickLock caps for safe centrifugation of hazardous samples optionally available ¹⁾
- > Buckets, caps and adapters are autoclavable


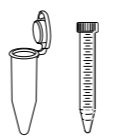




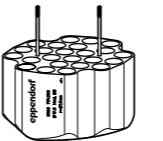
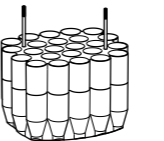
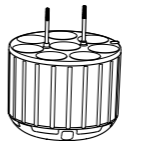
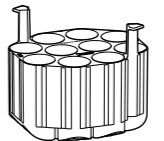

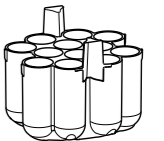
¹⁾ Aerosol-tightness tested by Public Health England, Porton Down, UK.

**Ordering information**

Description	Order no.
Rotor S-4xUniversal-Large	5895 190.006
Aerosol-tight caps, for Rotor S-4xUniversal-Large, set of 2 pcs.	5920 752.006


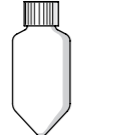





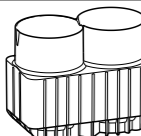
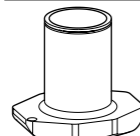
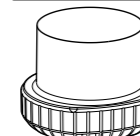
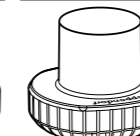
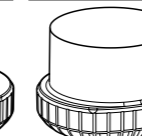

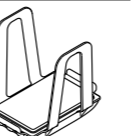
					
Tube Volume	1.5/2.0 mL	5 mL FACS	2.6 - 8 mL	5.5 - 12 mL	9 mL
Max. tube diameter	11 mm	12 mm	13 mm	16 mm	17.5 mm
Max. vessel height	39 mm	113 mm	110 mm	110 mm	136 mm
Max. vessel height for use with cap/lid	39 mm	82 mm	107 mm	106 mm	130 mm
Adapter					
Number of vessels per adapter/rotor	92/368	51/204	49/196	37/148	28/112
Bottom shape	flat	round	round	round	round
Centrifugation radius	205 mm	205 mm	205 mm	204 mm	209 mm
Max. RCF	4,139 × g	4,140 × g	4,140 × g	4,120 × g	4,200 × g
Packing	set of 2 pcs.	set of 2 pcs.	set of 2 pcs.	set of 2 pcs.	set of 2 pcs.
Order no.	5920 747.002	5920 742.000	5920 739.000	5920 738.003	5920 746.006

¹⁾ Please note that these conical bottles need to be used together with a conical form insert provided by the manufacturer.

					
14 mL	Eppendorf Tubes® 5.0 mL and 15 mL conical	30 mL	50 mL conical	50 mL conical, skirted	50 mL Nalgene® Oak Ridge
17.5 mm	17 mm	25 mm	31 mm	31 mm	29 mm
123 mm	131 mm	117 mm	131 mm	141 mm	132 mm
120 mm	123 mm	108 mm	125 mm	121 mm	121 mm
					
24/96	24/96	12/48	10/40	7/28	12/48
round	conical	flat	conical	flat	round
210 mm	218 mm	194 mm	213 mm	197 mm	206 mm
4,240 × g	4,402 × g	3,918 × g	4,301 × g	3,978 × g	4,160 × g
set of 2 pcs.	set of 2 pcs.	set of 2 pcs.	set of 2 pcs.	set of 2 pcs.	set of 2 pcs.
5920 751.000	5920 736.000	5920 743.007	5920 735.004	5920 748.009	5920 753.002

Rotors for 5920 R



							
Tube Volume	250 mL flat, 175 – 225 mL conical ¹⁾	250 mL conical (Corning®, Nunc®)	500 mL Corning®	500 mL Nalgene®	750 mL	Micro Fluidic Cards	MTP, DWP, PCR plates
Max. tube diameter	62 mm	62 mm	98 mm	70 mm	104 mm	-	-
Max. vessel height	133 mm	171 mm	160 mm	168 mm	166 mm	153 mm	116 mm
Max. vessel height for use with cap/lid	126 mm		148 mm	145 mm	143 mm		110 mm
Adapter							
Number of vessels per adapter/rotor	2/8	1/4	1/4	1/4	1/4	3/12	5/20 (MTP) 2/8 (DWP)
Bottom shape	flat	flat	conical	flat	flat	flat	flat
Centrifugation radius	203 mm	208 mm	208 mm	206 mm	202 mm	200 mm	196 mm
Max. RCF	4,099 × g	4,200 × g	4,200 × g	4,160 × g	4,079 × g	4,039 × g	3,938 × g
Packing	set of 2 pcs.	set of 2 pcs.	set of 2 pcs.	set of 2 pcs.	set of 2 pcs.	set of 2 pcs.	set of 2 pcs.
Order no.	5920 740.008	5920 750.003	5920 744.003	5920 745.000	5920 741.004	5920 749.005	5920 737.007

¹⁾ Please note that these conical bottles need to be used together with a conical form insert provided by the manufacturer.

Get +Together

**A perfect match**

Do you spin both conical tubes and plates? Eppendorf may have the perfect solution for you. Eppendorf offers a comprehensive range of high quality consumables and now introduces the new refrigerated Centrifuge 5920 R, featuring extraordinary high capacity and performance. Its main swing-bucket rotor allows for spinning both plates and tubes in the same bucket.

Your benefits:

- > Cost saving: No need for separate plate buckets
- > Space saving: No need to store different buckets
- > Time saving: No need to exchange buckets
- > Optimal complementarity and performance with Eppendorf Consumables

Learn more about the products. For easiest access, just scan the QR code.

Alternatively, visit www.eppendorf.com/together


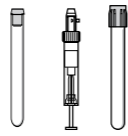
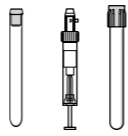
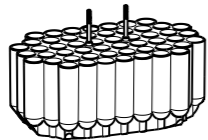
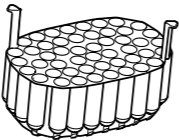
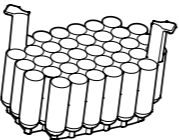
Rotors for 5920 R

**Rotor S-4x1000 with High-Capacity Buckets**





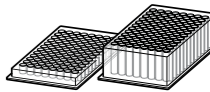
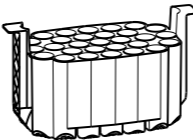
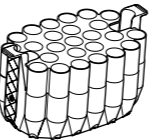
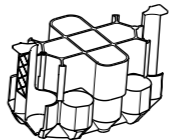
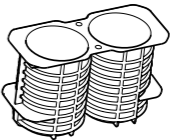

- > Extra High capacity swing-bucket rotor with max. speed 3,153 × g (3,700 rpm)
- > Bucket accommodates both plates and tubes
- > Buckets, caps and adapters are autoclavable

**Ordering information**

Description	Order no.
Rotor S-4x1000 , incl. high-capacity buckets	5895 118.003
Rotor S-4-1000 , without buckets	5895 101.003
Buckets for Rotor S-4x1000 , High-Capacity bucket for Rotor S-4x1000, set of 2 pcs.	5895 107.001
Buckets for Rotor S-4x1000 , High-Capacity bucket for Rotor S-4x1000, set of 4 pcs.	5895 106.005
Plate carrier for high-capacity bucket , for MTP, DWP, PCR plates, set of 2 pcs.	5920 729.004

			
Tube Volume	5 mL FACS	2.6 - 8 mL	5.5 - 12 mL
Max. tube diameter	12 mm	13 mm	16 mm
Max. vessel height	106 mm	112 mm	113 mm
Max. vessel height for use with cap/lid			
Adapter			
Number of vessels per adapter/rotor	52/204	49/196	36/144
Bottom shape	round	round	round
Centrifugation radius	204 mm	204 mm	199 mm
Max. RCF	3,122 × g	3,122 × g	3,046 × g
Packing	set of 2 pcs.	set of 2 pcs.	set of 2 pcs.
Order no.	5920 724.002	5920 718.002	5920 720.007

¹⁾ Please note that these conical bottles need to be used together with a conical form insert provided by the manufacturer.

				
9 mL	Eppendorf Tubes® 5.0 mL and 15 mL conical	50 mL conical	250 mL flat, 175 – 225 mL conical ¹⁾ , Nunc 250 mL conical	MTP, DWP, PCR plates
17.5 mm	17 mm	31 mm	62 mm	
129 mm	120 mm	120 mm	145 mm	88 mm
				
29/116	27/108	13/52	2/8	6/24 (MTP) 2/8 (DWP)
round	conical	conical	flat	flat
204 mm	205 mm	206 mm	200 mm	185 mm
3,122 × g	3,138 × g	3,163 × g	3,061 × g	2,832 × g
set of 2 pcs.	set of 2 pcs.	set of 2 pcs.	set of 2 pcs.	set of 2 pcs.
5920 722.000	5920 716.000	5920 715.003	5920 717.006	5920 729.004

Rotors for 5920 R



Rotor S-4x1000 with Plate/Tube Bucket

- > High capacity swing-bucket rotor with max. speed $3,076 \times g$ (3,700 rpm)
- > Bucket accommodates both plates and tubes
- > Aerosol-tight QuickLock caps for safe centrifugation of hazardous samples optionally available¹⁾
- > Buckets, caps and adapters are autoclavable

¹⁾ Aerosol-tightness tested by Public Health England, Porton Down, UK.



Ordering information

Description	Order no.
Rotor S-4x1000 , incl. plate/tube bucket	5895 117.007
Rotor S-4-1000 , without buckets	5895 101.003
Plate carrier for plate/tube bucket , for MTP, DWP, PCR plates, Rotor S-4x1000, set of 2 pcs.	5920 705.008
Aerosol-tight caps , for S-4x1000 plate/tube bucket and S-4x750 plate bucket, set of 2 pcs.	5895 111.009
Buckets for Rotor S-4x1000 , Plate/tube bucket for Rotor S-4x1000, set of 4 pcs.	5895 104.002
Buckets for Rotor S-4x1000 , Plate/tube bucket for Rotor S-4x1000, set of 2 pcs.	5895 105.009

Tube Volume	2.6 - 8 mL	5.5 - 12 mL	9 mL	Eppendorf Tubes® 5.0 mL and 15 mL conical
Max. tube diameter	13 mm	16 mm	17.5 mm	17 mm
Max. vessel height	109 mm	109 mm	109 mm	121 mm
Max. vessel height for use with cap/lid¹⁾	108 ²⁾ mm	108 ³⁾ mm	109 ⁴⁾ mm	
Adapter				
Number of vessels per adapter/rotor	35/140	33/132	28/112	22/88
Bottom shape	round	round	round	conical
Centrifugation radius	201 mm	200 mm	200 mm	201 mm
Max. RCF	$3,076 \times g$	$3,061 \times g$	$3,061 \times g$	$3,076 \times g$
Packing	set of 2 pcs.	set of 2 pcs.	set of 2 pcs.	set of 2 pcs.
Order no.	5920 706.004	5920 707.000	5920 708.007	5920 710.001

¹⁾ Please perform a manual test to determine the actual loading capacity.²⁾ in 25 center pos.³⁾ in 23 center pos.⁴⁾ in 22 center pos.

Eppendorf Tubes® 5.0 mL and 15 mL conical	50 mL conical	50 mL conical	MTP, DWP, PCR plates
17 mm	31 mm	31 mm	
121 mm	122 mm	121 mm	104 mm
121 mm		121 mm	91 mm
16/64	10/40	7/28	7/28(MTP) 2/8(DWP)
conical	conical	conical	flat
201 mm	201 mm	201 mm	198 mm
$3,076 \times g$	$3,076 \times g$	$3,076 \times g$	$3,030 \times g$
set of 2 pcs.	set of 2 pcs.	set of 2 pcs.	set of 2 pcs.
5920 712.004	5920 709.003	5920 711.008	5920 705.008

i For more information go to www.eppendorf.com/centrifugation

Rotors for 5920 R

**Rotor S-4x1000 with Round Bucket**

- > Medium capacity swing-bucket rotor with max. speed 3,413 × g (3,700 rpm)
- > Broad range of adapters enables high versatility for tubes and flasks from 0.2 mL to 1,000 mL and plates
- > Mixed loading with 2 plate buckets and 2 round tube buckets allows for increased versatility
- > Aerosol-tight QuickLock caps for safe centrifugation of hazardous samples optionally available ¹⁾
- > Buckets, caps and adapters are autoclavable

¹⁾ Aerosol-tightness tested by Public Health England, Porton Down, UK.

Tube Volume	1.5/2.0 mL	12 mm x 75 mm, 5 mL FACS	2.6 – 8 mL	5.5 – 12 mL	9 mL	14 mL	Eppendorf Tubes® 5.0 mL and 15 mL conical
Max. tube diameter	11 mm	12 mm	13 mm	16 mm	17.5 mm	17.5 mm	17 mm
Max. vessel height	39 mm	115 mm	121 mm	140 mm	117 mm	117 mm	161 mm
Max. vessel height for use with cap/lid¹⁾	39 mm	108 mm	113 mm	140 mm	112 mm	112 mm	150 mm
Adapter							
Number of vessels per adapter/rotor	50/200	27/108	23/92	20/80	20/80	14/56	14/56
Bottom shape	flat	round	round	round	round	round	conical
Centrifugation radius	219 mm	211 mm	210 mm	211 mm	210 mm	210 mm	224 mm
Max. RCF	3,352 × g	3,229 × g	3,214 × g	3,229 × g	3,214 × g	3,214 × g	3,428 × g
Packing	set of 2 pcs.	set of 2 pcs.	set of 2 pcs.	set of 2 pcs.	set of 2 pcs.	set of 2 pcs.	set of 2 pcs.
Order no.	5825 740.009	5825 747.003	5825 738.004	5825 736.001	5825 743.008	5825 748.000	5825 734.009

¹⁾ Exceeding the maximum tube length may reduce the loading capacity of the rotor. Please perform a manual swing-out test before starting the centrifuge run to make sure the tubes do not hit the rotor yoke.²⁾ Please note that these conical bottles need to be used together with a conical form insert provided by the manufacturer.³⁾ 225 mL conical for S-4-104 and S-4x750, 250 mL conical for S-4x1000 with round bucket.

Ordering information

Description	Order no.
Rotor S-4-1000 , without buckets	5895 101.003
Buckets for Rotor S-4x1000 , Round bucket for Rotor S-4x1000, set of 2 pcs.	5895 103.006
Buckets for Rotor S-4x1000 , Round bucket for Rotor S-4x1000, set of 4 pcs.	5895 102.000
Rotor S-4x1000 , incl. 4 × 1,000 mL round buckets	5895 100.007
Plate carrier for plate/tube bucket , for MTP, DWP, PCR plates, Rotor S-4x1000, set of 2 pcs.	5920 705.008
Aerosol-tight caps , for S-4x1000 plate/tube bucket and S-4x750 plate bucket, set of 2 pcs.	5895 111.009
Buckets for Rotor S-4x1000 , Plate/tube bucket for Rotor S-4x1000, set of 4 pcs.	5895 104.002
Buckets for Rotor S-4x1000 , Plate/tube bucket for Rotor S-4x1000, set of 2 pcs.	5895 105.009
Aerosol-tight caps for 750 mL round buckets , for Rotor S-4-104, Rotor S-4x750 and Rotor S-4x1000, set of 2 pcs.	5820 747.005

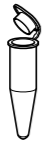





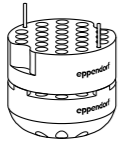
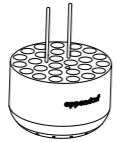
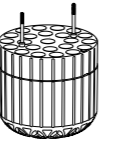
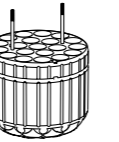
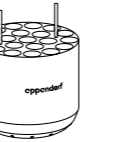
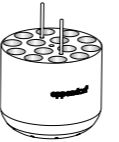
30 mL	50 mL conical	50 mL conical, skirted	250 mL flat, 175 – 225/250 mL conical ²⁾³⁾	500 mL Corning®	500 mL Nalgene	600 mL TPP	750 mL	1 Liter Nalgene	MTP, DWP, PCR plates
25 mm	31 mm	31 mm	62 mm	98 mm		98 mm	104 mm	98 mm	
145 mm	156 mm	151 mm	176 mm	167 mm	180 mm	181 mm	150 mm	185 mm	104 mm
138 mm	150 mm	147 mm	156 mm						91 mm
8/32	7/28	5/20	1/4	1/4	1/4	1/4	1/4	1/4	7/28 (MTP) 2/8 (DWP)
flat	conical	flat	flat	conical	flat	conical	flat	flat	flat
210 mm	223 mm	209 mm	214 mm	218 mm	221 mm	224 mm	216 mm	218 mm	198 mm
3,222 × g	3,413 × g	3,199 × g	3,275 × g	3,336 × g	3,382 × g	3,428 × g	3,306 × g	3,336 × g	3,030 × g
set of 2 pcs.	set of 2 pcs.	set of 2 pcs.	set of 2 pcs.	set of 2 pcs.	set of 2 pcs.	set of 2 pcs.	set of 2 pcs.	set of 2 pcs.	set of 2 pcs.
5825 755.006	5825 733.002	5825 732.006	5825 741.005	5825 745.000	5920 703.005	5920 701.002	5825 744.004	5920 700.006	5895 105.009

Rotors for 5920 R

**Rotor S-4x750**

- > Medium capacity swing-bucket rotor with max. speed 4,800 × g (4,700 rpm)
- > Broad range of adapters enables high versatility for tubes and flasks from 0.2 mL to 750 mL and plates
- > Mixed loading with 2 plate buckets and 2 round tube buckets allows for increased versatility
- > Aerosol-tight QuickLock caps for safe centrifugation of hazardous samples optionally available¹⁾
- > Buckets, caps and adapters are autoclavable

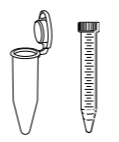




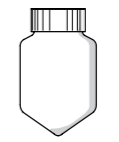

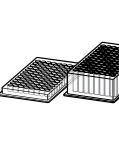
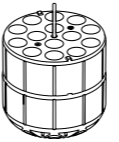
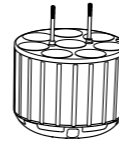
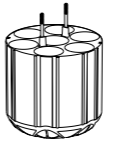
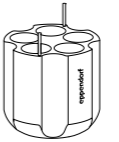

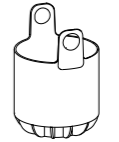
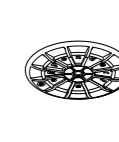

¹⁾ Aerosol-tightness tested by Public Health England, Porton Down, UK.

						
Tube Volume	1.5/2.0 mL	12 mm x 75 mm, 5 mL FACS	2.6 – 8 mL	5.5 – 12 mL	9 mL	14 mL
Max. tube diameter	11 mm	12 mm	13 mm	16 mm	17.5 mm	17.5 mm
Max. vessel height	39 mm	120 mm	121 mm	125 mm	117 mm	106 mm
Max. vessel height for use with cap/lid¹⁾	39 mm	113 mm	113 mm	120 mm	112 mm	106 mm
Adapter						
Number of vessels per adapter/ rotor	50/200	27/108	23/92	20/80	20/80	14/56
Bottom shape	flat	round	round	round	round	round
Centrifugation radius	194 mm	186 mm	185 mm	186 mm	185 mm	185 mm
Max. RCF	4,800 × g	4,593 × g	4,569 × g	4,594 × g	4,569 × g	4,569 × g
Packing	set of 2 pcs.	set of 2 pcs.	set of 2 pcs.	set of 2 pcs.	set of 2 pcs.	set of 2 pcs.
Order no.	5825 740.009	5825 747.003	5825 738.004	5825 736.001	5825 743.008	5825 748.000

¹⁾ Exceeding the maximum tube length may reduce the loading capacity of the rotor. Please perform a manual swing-out test before starting the centrifuge run to make sure the tubes do not hit the rotor yoke.²⁾ Please note that these conical bottles need to be used together with a conical form insert provided by the manufacturer.³⁾ 225 mL conical for S-4-104 and S-4x750, 250 mL conical for S-4x1000 with round bucket.

Ordering information

Description	Order no.
Rotor S-4x750	
without buckets	5895 121.004
Buckets for Rotor S-4x750 , Round buckets for Rotor S-4x750, set of 2 pcs.	5895 123.007
Buckets for Rotor S-4x750 , Round buckets for Rotor S-4x750, set of 4 pcs.	5895 122.000
Rotor S-4x750	
incl. 4 × 750 mL round buckets	5895 120.008
Buckets for Rotor S-4x750 , Plate bucket (aerosol-tight capable), incl. plate carrier, set of 4 pcs.	5895 124.003
Buckets for Rotor S-4x750 , Plate bucket (aerosol-tight capable), incl. plate carrier, set of 2 pcs.	5895 125.000
Aerosol-tight caps for plate buckets (aerosol-tight capable) , for Rotor S-4-104 and Rotor S-4x750, set of 2 pcs.	5820 748.001
Aerosol-tight caps for 750 mL round buckets , for Rotor S-4-104, Rotor S-4x750 and Rotor S-4x1000, set of 2 pcs.	5820 747.005
Wide-neck bottle , 750 mL, set of 2 pcs.	5820 708.000

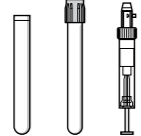



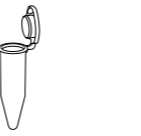
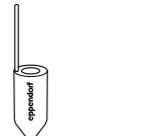
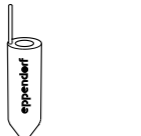
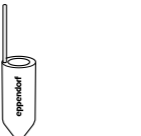

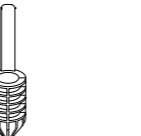
								
Eppendorf Tubes® 5.0 mL and 15 mL conical	17 mm	25 mm	31 mm	31 mm	62 mm	98 mm	104 mm	
	125 mm	117 mm	122 mm	122 mm	145 mm	150 mm	133 mm	60 mm
	120 mm	112 mm	116 mm	116 mm	125 mm		133 mm	45 mm
Adapter								
	14/56	8/32	7/28	5/20	1/4	1/4	1/4	4/16 (MTP) 1/4 (DWP)
	conical	flat	conical	flat	flat	conical	flat	
	188 mm	180 mm	187 mm	177 mm	183 mm	186 mm	185 mm	161 mm
	4,643 × g	4,445 × g	4,618 × g	4,371 × g	4,519 × g	4,594 × g	4,569 × g	3,976 × g
	set of 2 pcs.	set of 2 pcs.	set of 2 pcs.	set of 2 pcs.	set of 2 pcs.	set of 2 pcs.	set of 2 pcs.	set of 2 pcs.
	5825 734.009	5825 755.006	5825 733.002	5825 732.006	5825 741.005	5825 745.000	5825 744.004	5895 125.000

Rotors for 5920 R

**Rotor FA-6x50/FA-6x50-hs**

- > High-speed rotor for applications in tubes from 5–50 mL
- > Rotor FA-6x50: Max. speed 20,130 × g (12,100 rpm)
- > Rotor FA-6x50-hs: Max. speed 25,062 × g (13,500 rpm) ¹⁾
- > Eppendorf QuickLock rotor lid for fast lid locking
- > Aerosol-tight ²⁾ for safe centrifugation of hazardous samples
- > Low rotor weight (3.2 kg) for easy handling
- > Anodized aluminum for high chemical resistance
- > 45° borehole angle minimizes pellets smear
- > Rotor, lid and adapters are autoclavable







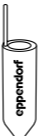





¹⁾ Please note that a software upgrade may be necessary for older centrifuges when using Rotor FA-6x50-hs. Please contact your local Eppendorf organization or dealer for further information. ²⁾ Aerosol-tightness tested by Public Health England, Porton Down, UK.

					
Tube Volume	2.6 – 5 mL	4 – 8 mL	5.5 – 10 mL	7.5 – 12 mL	Eppendorf Tubes® 5.0 mL
Max. tube diameter	13 mm	13 mm	16 mm	16 mm	17 mm
Max. vessel height for use with cap/lid	119 mm	119 mm	119 mm	119 mm	121 mm
Adapter					
Number of vessels per adapter/rotor	1/6	1/6	1/6	1/6	1/6 ²⁾
Bottom shape	round	round	round	round	conical
Centrifugation radius	120 mm	120 mm	120 mm	120 mm	121 mm
Max. RCF¹⁾	19,246 × g/ 24,451 × g	19,246 × g/ 24,451 × g	19,246 × g/ 24,451 × g	19,246 × g/ 24,451 × g	19,806 × g/ 24,654 × g
Packing	set of 2 pcs.	set of 2 pcs.	set of 2 pcs.	set of 2 pcs.	set of 2 pcs.
Order no.	5820 726.008	5820 725.001	5820 728.000	5820 727.004	5820 730.005

¹⁾ Max RCF. Rotor FA-6x50/ Max RCF. Rotor FA-6x50-hs²⁾ Eppendorf Tubes® 5.0 mL with screw cap will not fit in this adapter.

Ordering information

Description	Order no.
Rotor FA-6x50-hs , incl. rotor lid	5895 165.001
Rotor FA-6x50 , aerosol-tight, incl. rotor lid	5895 150.004

					
7 – 17 mL	15 mL	15 – 18 mL	20 – 30 mL	35 mL	50 mL conical
17.5 mm	17 mm	18 mm	26 mm	29 mm	31 mm
122 mm	125 mm	125 mm	125 mm	125 mm	121 mm
					
1/6	1/6	1/6	1/6	1/6	-/6
round	conical	round	round	conical	conical
120 mm	120 mm	120 mm	105 mm	112 mm	123 mm
19,246 × g/ 24,451 × g	19,246 × g/ 24,451 × g	19,246 × g/ 24,451 × g	17,187 × g/ 21,394 × g	18,333 × g/ 22,821 × g	20,130 × g/ 25,062 × g
set of 2 pcs.	set of 2 pcs.	set of 2 pcs.	set of 2 pcs.	set of 2 pcs.	-
5820 729.007	5820 717.009	5820 720.000	5820 721.006	5820 722.002	-

Rotors for 5920 R



Rotor FA-20x5

- > 20 places for Eppendorf Tubes® 5.0 mL¹⁾
- > Max. speed: 20,913 × g (13,100 rpm)
- > Aerosol-tight²⁾ Eppendorf QuickLock rotor lid
- > Rotor, lid and adapters are autoclavable (121 °C, 20 min)
- > Anodized aluminum for high chemical resistance

¹⁾ For Eppendorf Tubes® 5.0 mL with screw cap the capacity is limited to 10 tubes. ²⁾ Aerosol-tightness tested by Public Health England, Porton Down, UK.



Rotor FA-48x2

- > 48 places for 1.5/2.0 mL tubes
- > Max. speed: 22,132 × g (14,000 rpm)
- > Eppendorf QuickLock rotor lid for fast lid locking
- > Aerosol-tight¹⁾ for safe centrifugation of hazardous samples
- > Anodized aluminum for high chemical resistance
- > Rotor and lid are autoclavable (121 °C, 20 min)

¹⁾ Aerosol-tightness tested by Public Health England, Porton Down, UK.

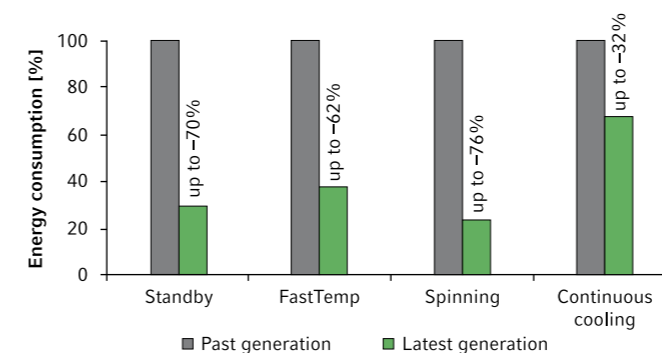
Ordering information

Description	Order no.
Rotor FA-20x5 , for 20 Eppendorf Tubes® 5.0 mL, incl. aerosol-tight Eppendorf QuickLock® rotor lid	5895 130.003
Rotor FA-48x2 , incl. aerosol-tight Eppendorf QuickLock® rotor lid	5895 135.005
Adapter , for 1 vessel 1.5 – 2.0 mL, for Rotors FA-45-12-17, FA-45-16-17 and FA-45-20-17, set of 4 pcs.	5820 768.002
Adapter , for 1 cryo tube, for Rotors FA-45-12-17, FA-45-16-17 and FA-45-20-17, set of 4 pcs.	5820 769.009
Adapter , for 1 HLPC tube, for Rotors FA-45-12-17, FA-45-16-17 and FA-45-20-17, set of 4 pcs.	5820 770.007
Adapter , for 1 tube 0.5 mL, max. Ø 6 mm or microtainer 0.6 mL, max. Ø 6 mm, for all 1.5/2.0 mL rotors, set of 6 pcs.	5425 716.001
Adapter , for 1 tube 0.4 mL, max. Ø 6 mm, for all 1.5/2.0 mL rotors, set of 6 pcs.	5425 717.008
Adapter , for 1 PCR tube 0.2 mL, max. Ø 6 mm, for all 1.5/2.0 mL rotors, set of 6 pcs.	5425 715.005

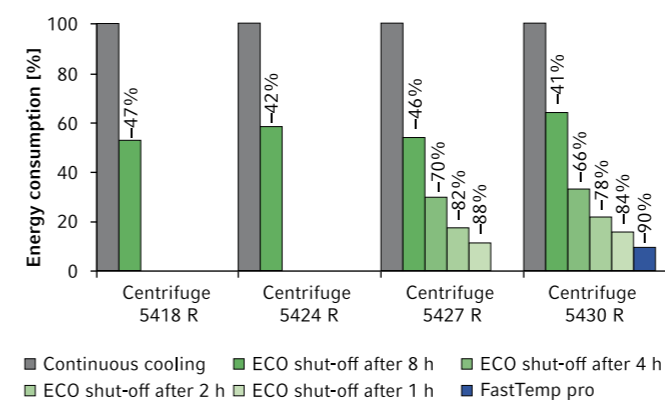
i For more information go to www.eppendorf.com/centrifugation

Eppendorf epGreen® Initiative

Save energy with every new generation of Eppendorf centrifuges



Energy savings overnight with ECO shut-off and FastTemp pro



Eppendorf epGreen Initiative

Eppendorf centrifuges offer the following epGreen features.

Centrifuges in general:

- > All Centrifuges are designed with a brushless induction motor to provide maintenance-free operation, eliminating carbon particle emissions
- > Rotors are made of recyclable aluminum
- > All Centrifuges are designed for low noise emission. Some of the new microcentrifuges can even be operated without the rotor lid, without any significant increase in sound volume

Refrigerated models feature:

- > Patented, dynamic compressor control ¹⁾ for precise cooling performance
- > CFC-free refrigerant with an ozone depletion potential (ODP) of zero
- > ECO shut-off deactivates the compressor after 8 hours of inactivity to reduce energy consumption and extend compressor life

Centrifuge packaging:

- > The inner- and outer centrifuge packaging are made of 100 % recyclable materials

¹⁾ US Patent 6,866,621